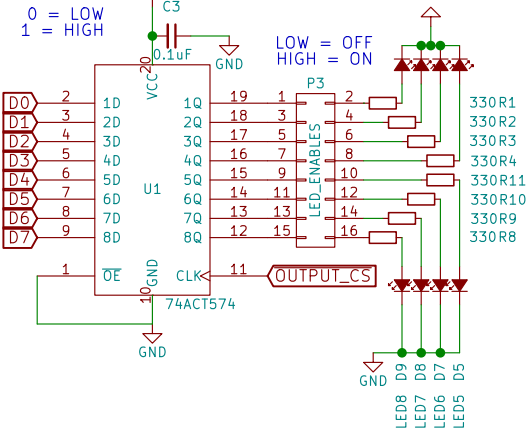
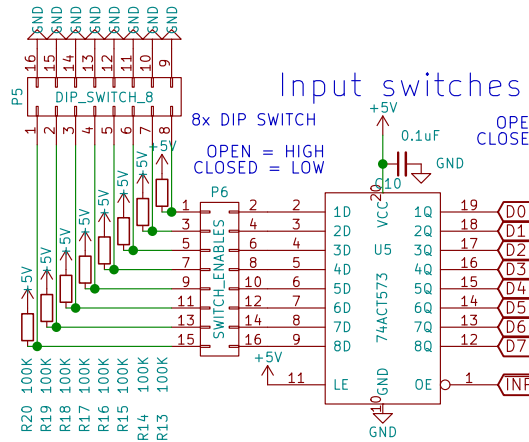


LED Outputs

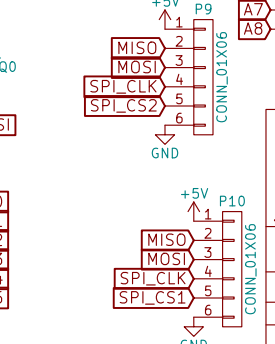
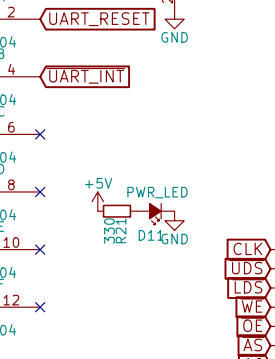
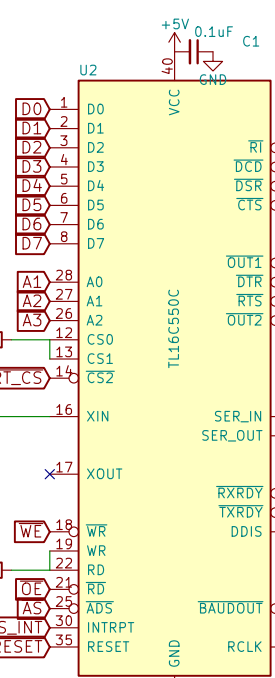
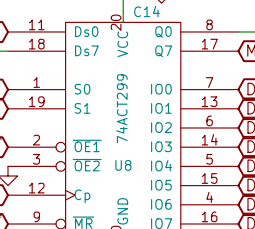
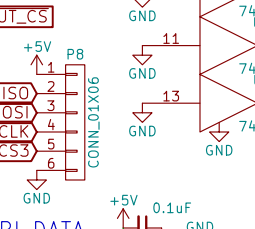
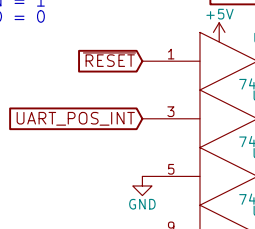
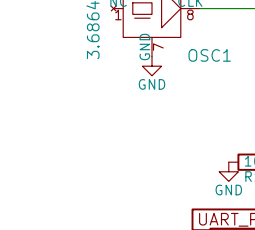
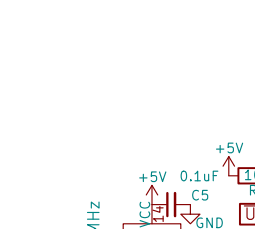
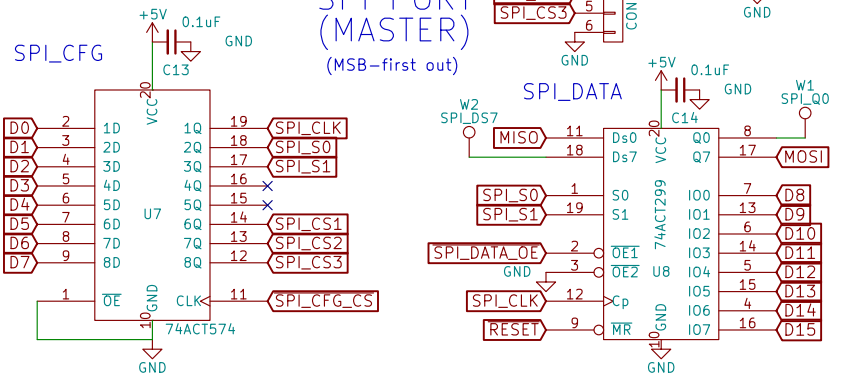


Input switches

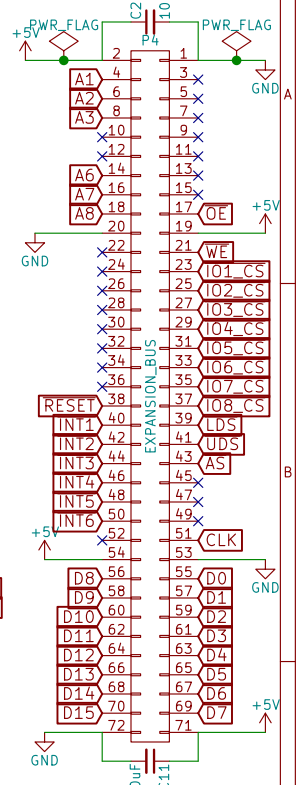


SPI PORT (MASTER)

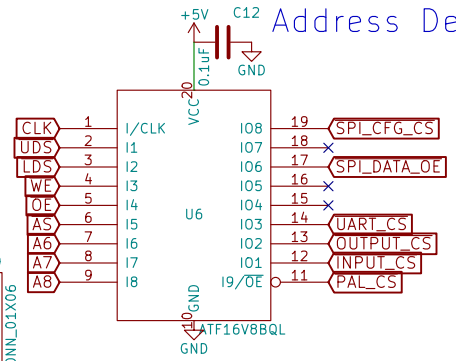
(MSB-first out)



BUS CONNECTOR MALE R/A CONN



Address Decoding



IOx_CS Select

