

UARTs

uarts.sch

Buffering

buffering.sch

Power And Reset

power_reset.sch

Address Decoding

addr_decoding.sch

Interrupt Handling
interrupts.sch

Memory

memory.sch

Expansion Connector

expansion_conn.sch

CPU
James Dooley

Sheet: /
File: tutorial1.sch

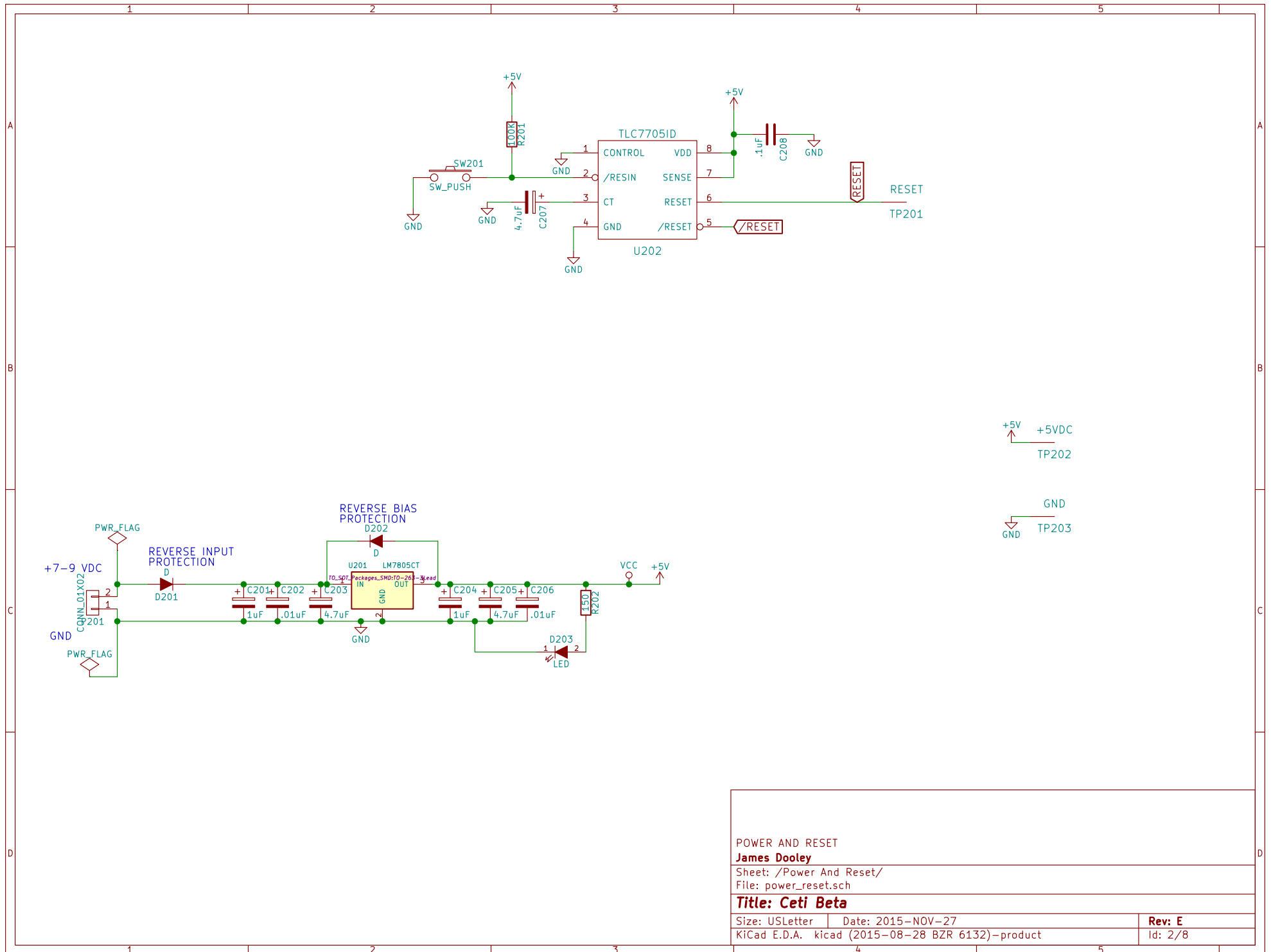
Title: Ceti Beta

Size: USLetter | Date: 2015-NOV-27

KiCad E.D.A. kicad (2015-08-28 BZR 6132)-product

Rev: E

Id: 1/8



POWER AND RESET

James Dooley

Sheet: /Power And Reset/

File: power_reset.sch

Title: Ceti Beta

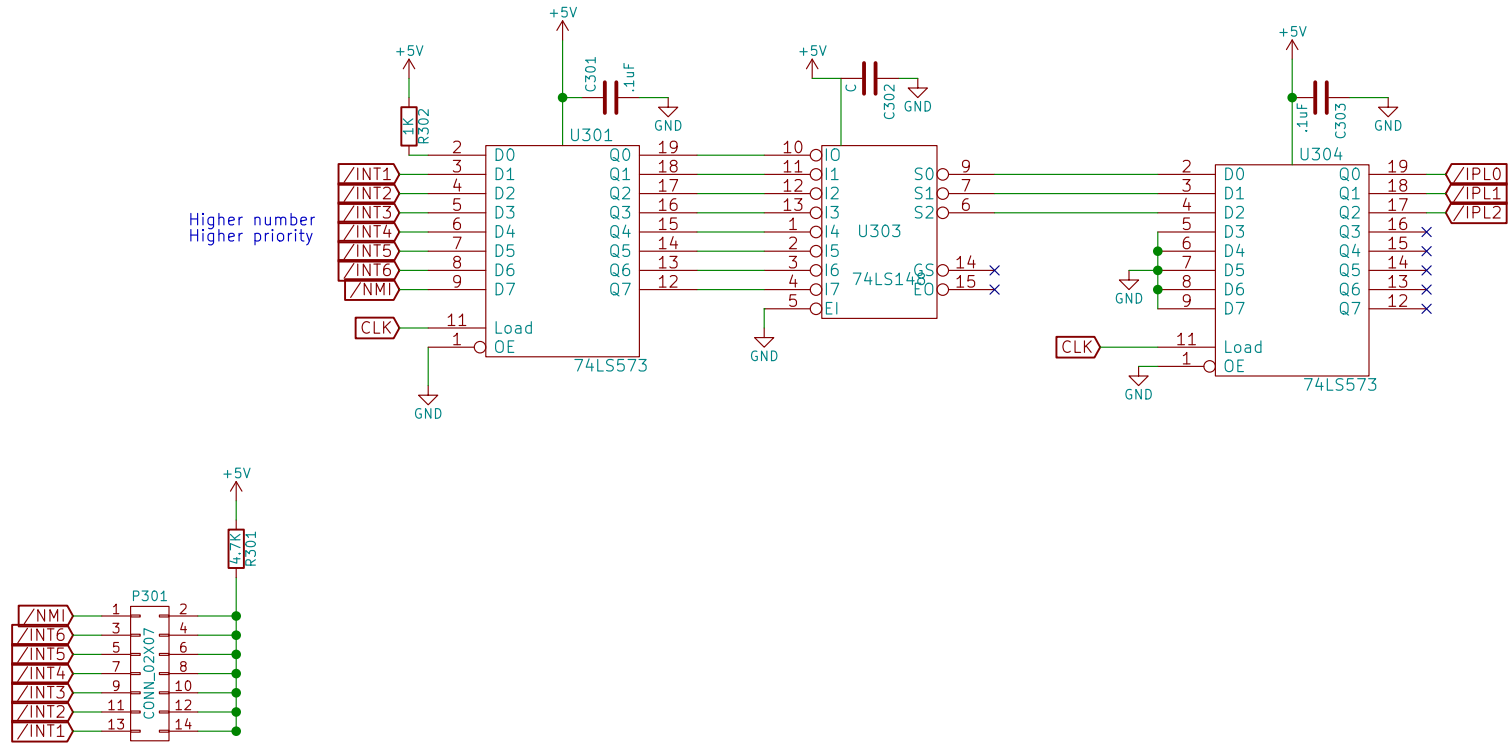
Size: USLetter | Date: 2015-NOV-27

KiCad E.D.A. kicad (2015-08-28 BZR 6132)-product

Rev: E

Id: 2/8

/IACK driven by PLD

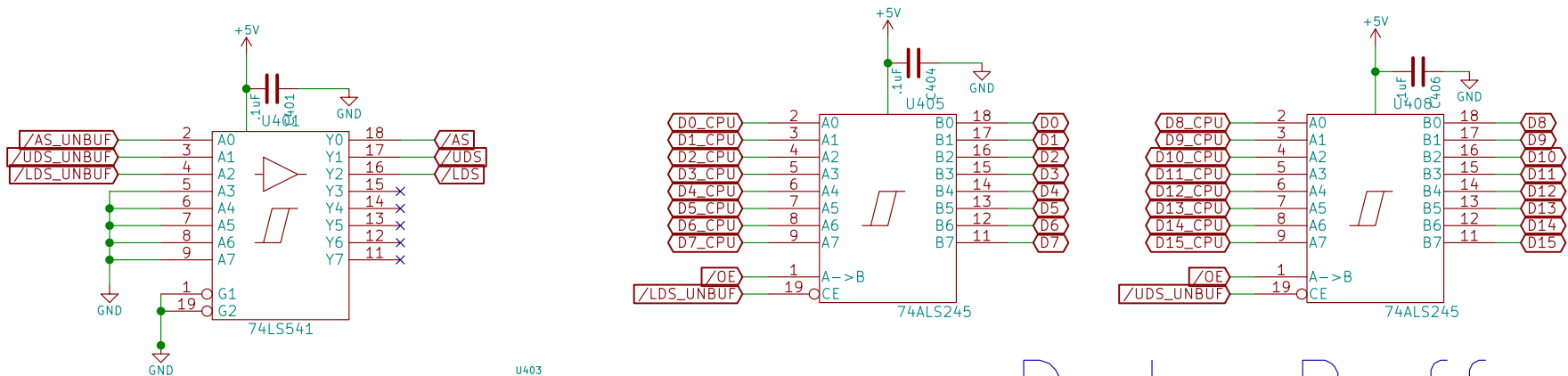
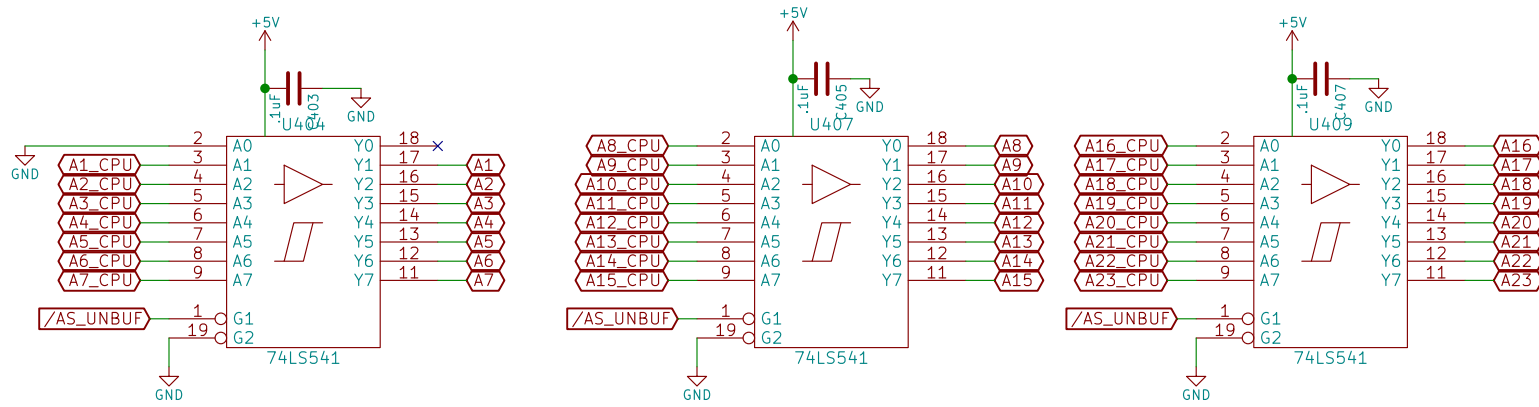


Higher number
Higher priority

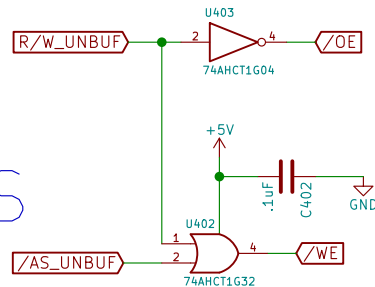
2x7 0.100" header for jumpers
installed = interrupt disabled
open = used by a peripheral

Interrupts	
James Dooley	
Sheet: /Interrupt Handling/	
File: interrupts.sch	
Title: Ceti Beta	
Size: USLetter	Date: 2015-NOV-27
KiCad E.D.A. kicad (2015-08-28 BZR 6132)-product	
	Rev: E
	Id: 3/8

Address Buffers



Strobe Buffers



Data Buffers

James Dooley

Sheet: /Buffering/
File: buffering.sch

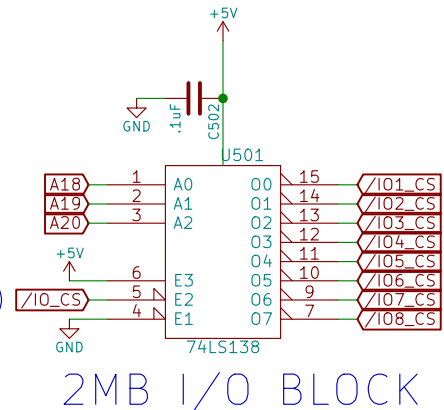
Title: Ceti Beta

Size: USLetter Date: 2015-NOV-27

KiCad E.D.A. kicad (2015-08-28 BZR 6132)-product

Rev: E

Id: 4/8



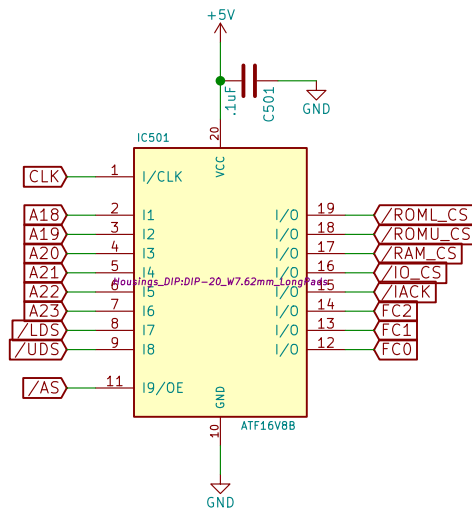
(PLD SETS BASE ADDR)

(8 x 256 KB)

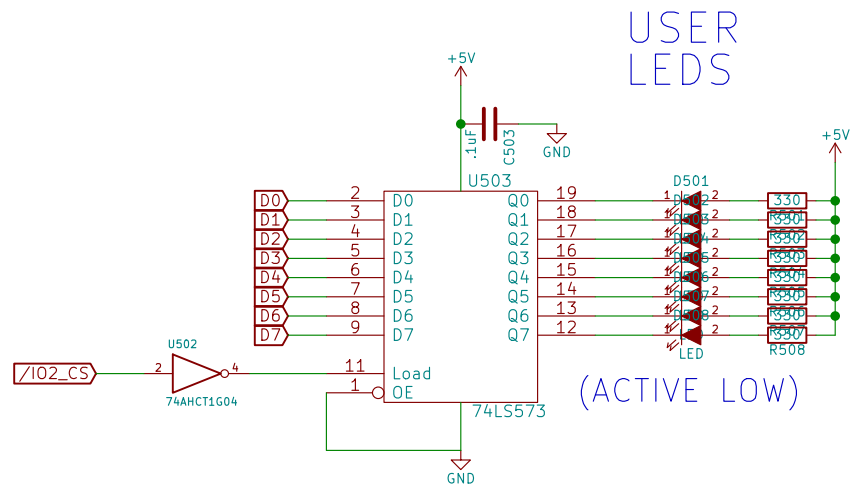
/IO1_CS -> UARTs

/IO2_CS -> USER LEDs

3-8 -> EXP CONNECTOR



ADDR DECODER PLD



Address Decoding

James Dooley

Sheet: /Address Decoding/

File: addr_decoding.sch

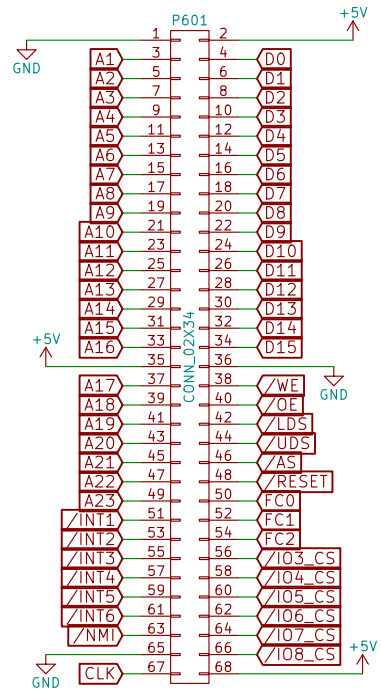
Title: Ceti Beta

Size: USLetter Date: 2015-NOV-27

KiCad E.D.A. kicad (2015-08-28 BZR 6132)-product

Rev: E

Id: 5/8



NC pins other than KEY are reserved for future use.

James Dooley

Sheet: /Expansion Connector/
File: expansion_conn.sch

Title: Ceti Beta

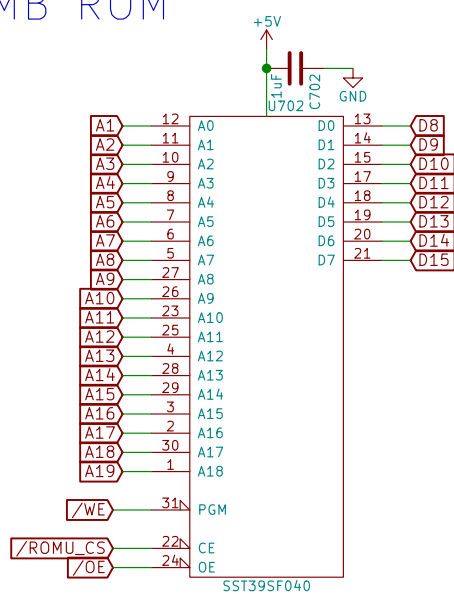
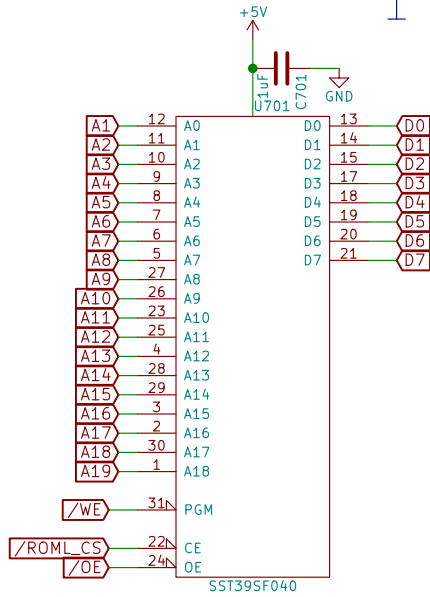
Size: USLetter | Date: 2015-NOV-27

KiCad E.D.A. kicad (2015-08-28 BZR 6132)-product

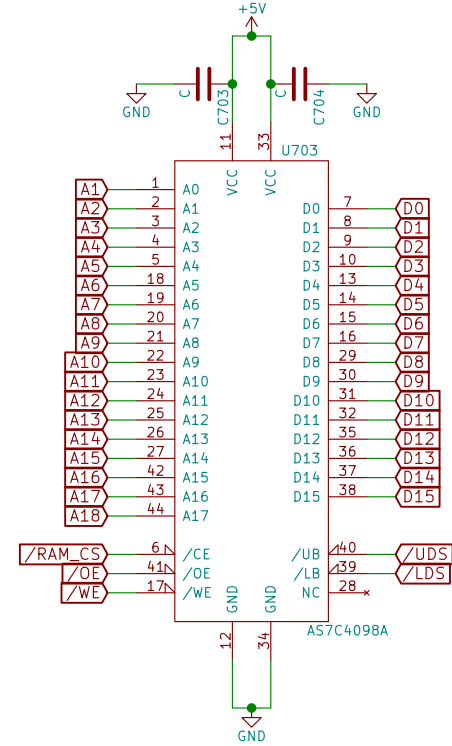
Rev: E

Id: 6/8

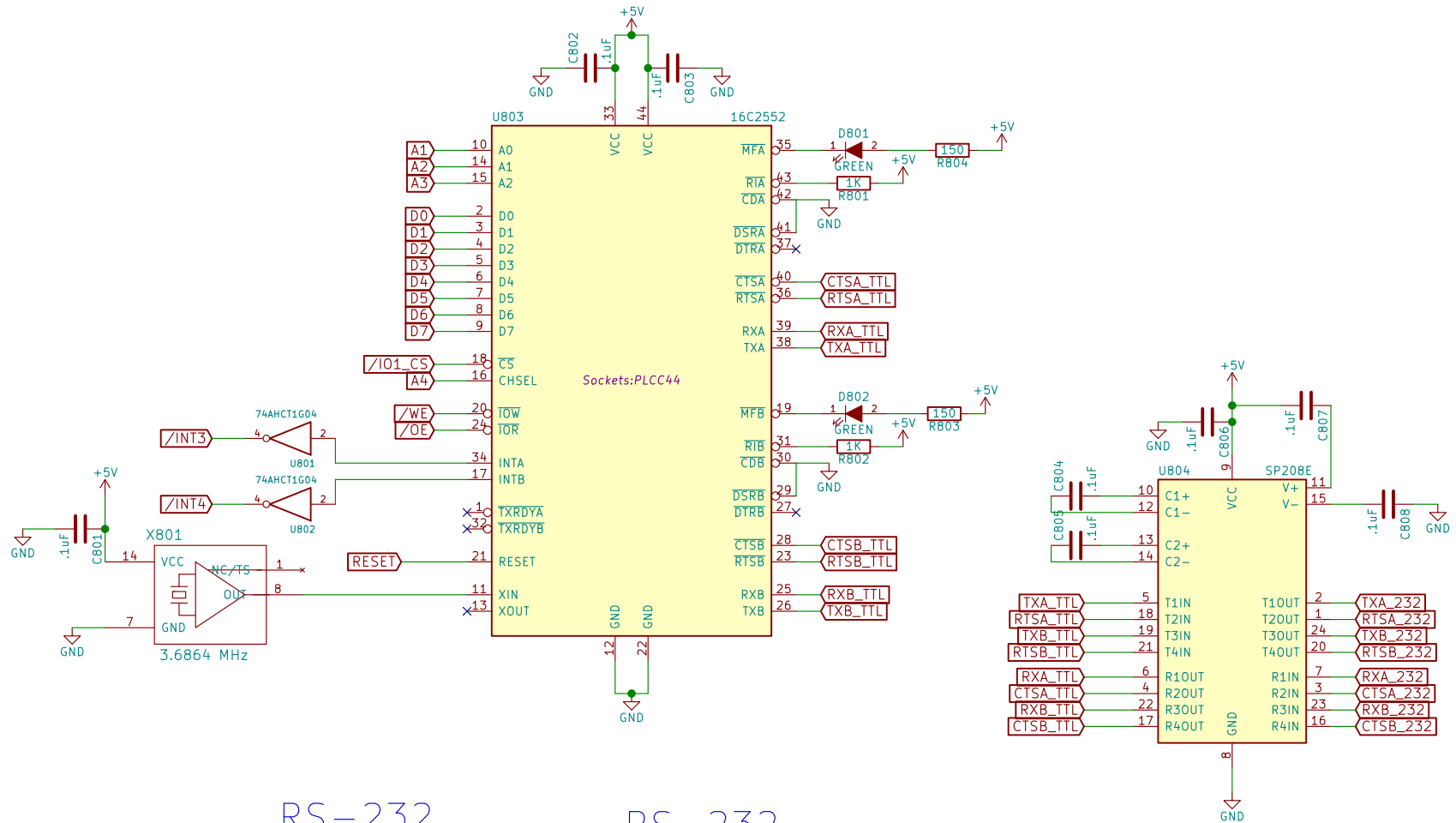
1 MB ROM



512 KB RAM

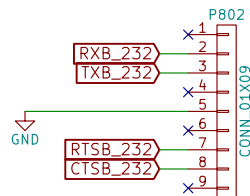
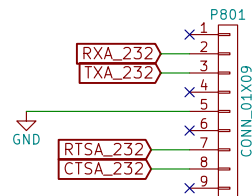


Memory	
James Dooley	
Sheet: /Memory/	
File: memory.sch	
Title: Ceti Beta	
Size: USLetter	Date: 2015-NOV-27
KiCad E.D.A. kicad (2015-08-28 BZR 6132)-product	Rev: E
	Id: 7/8



RS-232
Port A

RS-232
Port B



UARTs
James Dooley
Sheet: /UARTs/
File: uarts.sch

Title: Ceti Beta

Size: USLetter Date: 2015-NOV-27

KiCad E.D.A. kicad (2015-08-28 BZR 6132)-product

Rev: E

Id: 8/8